

# Instruction Manual

## IW-05C Advanced LED Teeth Whitening Lamp

### Overview

The InnoWhite IW-05C is an advanced LED (aLED) teeth whitening lamp to be used by dental professionals for in-office teeth whitening treatment. The lamp is designed with required wavelength to activate the peroxide-based whitening gel to facilitate the oxidation process to remove intrinsic stains of the teeth effectively. It is controlled by in-house developed micro-processor, with large LED display screen and soft-touch button control.

### Range of Application

1. To remove extrinsic or exogenous stains caused by foods and beverages such as coffee, tea, cola, red wines etc, and smoking of cigarettes.
2. To remove intrinsic or endogenous stains caused by genetically yellowish teeth and tooth discolouration due to internal hard tissues, mild dental fluorosis, tetracycline or other medications.

### Function and Features

1. Large and easy to read LED display screen.
2. Wheel-based with compact design.
3. Equipped with touch buttons and easy to operate.
4. Visible timer countdown with audible prompt tone during the last minute.
5. Easy to install and light weight.

### Inside the Box

1. 1x Main unit
2. 1x Power Supply with Adaptor
3. 2x Eye-protection Goggle

### Components description

1. Chassis
2. Bracket
3. Rotating arm
4. Micro-processor unit
5. Screen
6. Function keys
7. AC power input jack.
8. Power adapter

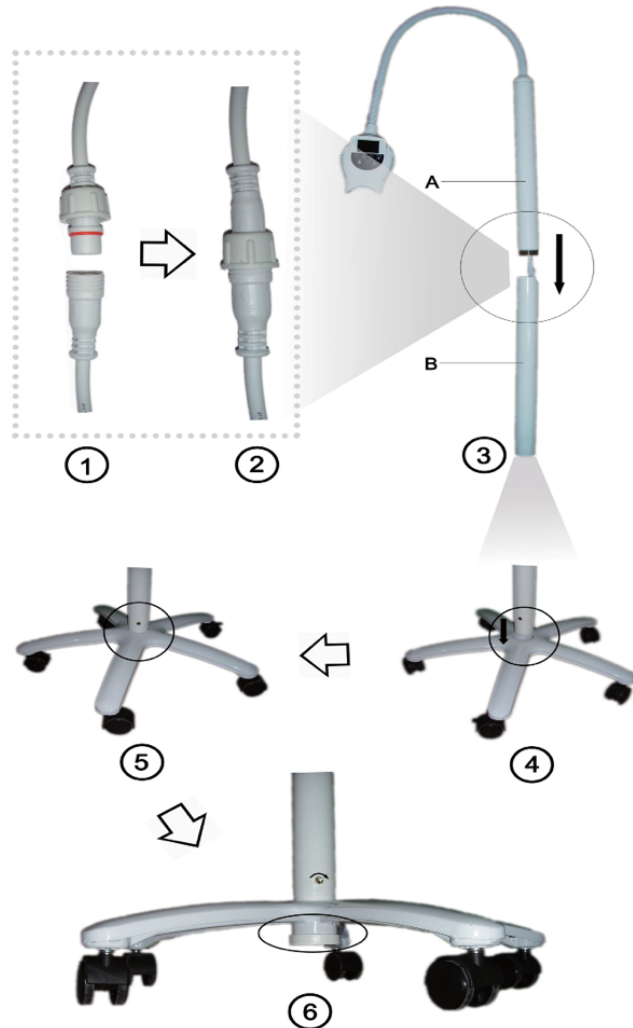


### Specifications

- Light Source:** Cool blue light  
**Power supply:** 110 – 240 VAC, 50Hz/60Hz, Input: 12V / 2.17A  
**Power:** 30W  
**Light intensity:** 9,000 – 11,000 MCD  
**Wavelength:** blue light, 460 – 490nm  
**LED quantity:** 6pcs blue LED  
**Output power:** up to 6000mw/cm<sup>2</sup>  
**LED life expectancy:** 50,000 hours  
**User control panel:** digital

## Setup the Whitening Lamp

1. Connect the power cord of the main unit and bracket (pic 1 & pic 2), then screw pole A into pole B, clockwise to tighten (pic 3).
2. Insert pole B into the center of Chassis (pic 4 & pic 5), clockwise to tighten with locking screw ring at the bottom of the Chassis (pic 6).



## Operating Instructions

1. Connect the teeth whitening lamp with the power supply and press the **POWER** button to turn on the system. The power will be turned off automatically when the set timing has expired.
2. Press the **HIGH/LOW** button to set light intensity with 40% / 60% / 80% / 100% (default) power output.
3. Press the **MODE** button to set the LED bulb quantity to activate 2pcs / 4pcs / 6pcs (default).
4. Set the time by pressing the **TIME UP** or **TIME DOWN** button with 1 minute interval (15 mins as default starting time). Press the **FAST SETTING** button with pre-set 5 minutes interval.
5. Press the **START/PAUSE** button to start the light activation. The whitening lamp will enter into the countdown mode automatically. Press the **START/PAUSE** button to pause when require.
6. When the whitening treatment is over, press the **POWER** button to turn off the system.

## Cautions

1. The whitening lamp is strictly for dental professionals use only.
1. Dentist and patient must wear the eye-protection goggles during the treatment to prevent any eye injuries cause by the blue light illuminations.
2. The lamp head can be positioned close to the patient's mouth by rotating the flexible arm in 360 degree. Do it gently and avoid using excessive force.
3. Turn off the power supply after use and avoid impact of the lamp head with any hard objects or in contact with any liquids.
4. Do not disassemble or dismantle the lamp head without the authorization of a professional and this will void the warranty terms.



Manufactured for  
**ESSENTIAL INNOVATION PTE LTD**  
55 Ubi Ave 1 #02-10 Ubi 55  
Singapore 408935.

T: +65-67426832 | E: info@inno-white.com

[www.inno-white.com](http://www.inno-white.com)